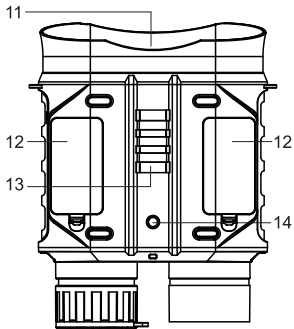
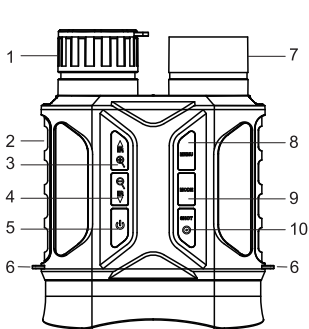


USER MANUAL



VER:JNV30-V1.0

➤ Product Appearance



1. Manual focusing Wheel

3. IR boost/Zoom in/UP key

5. Power Key

7. Infrared transmitter

9. Mode Key

11. Eyepiece/display

13. Bracket

2. USB Port/TF Slot

4. IR reduce/Zoom out/Down key

6. Hanging rope holes

8. Menu Key

10. Shot Key/OK key

12. Battery Bin

14. Bracket hole

➤ Specification parameters

- Photo: 20M(5200X3900) 、 16M(4608X3456) 、 12M(4000X3000)
8M(3264X2448) 、 5M(2592X1944) 、 3M(2048X1536)
2M(1600X1200) 、 1M(1280X960) .
- Video: 1920X1080 HD、 1280X720 HD、 720X480、 640X480.
- Aperture: F 1.2 f=25mm
- Lens: FOV=14° , Diameter: 25mm
- LCD: inner LCD: 2.31" (320*240) TFT;
Outer screen: 87*40mm,4x optical amplification
- Digital Zoom: 4X
- Storage: TF Card, Up to 32GB
- All black observation distance: 200~300 Meters
- Weak light observation distance: 3 m ~ infinity
- Infrared lamp: 3W, 850nm, Strong Infrared Spotlight ,7 levels
Infrared adjustment.
- USB Port: MICRO USB 2.0
- Power: 6V, 4xAA
- Operating temperature: -20°C to +60°C
- Storage temperature: -30°C to +65°C
- Product Size: About 172*139*63mm

➤ Install batteries

- Before use, please install the battery, open the battery cover(12), install 4 or 8 1.5 v AA brand alkaline battery. Make sure the polarity of the battery is correct, and close the battery cover.

➤ Insert memory card

- ◇ Please prepare a TF card, Class 10 or above, (maximum support 32GB)
- ◇ Open TF card slot cover(2).
- ◇ Make sure the TF card is in the right direction, insert the TF card and prohibit to insert card by force.
- ◇ Formatting the TF card before use, thus improves battery life, shutter speed and TF card compatibility.
- ◇ Lightly press TF card edge to pop up TF card.

Noted: “No SD card” prompts if without TF card or card is not inserted correctly.

➤ Basic operation




● Power on/off

- ◇ Long press power key 3 seconds to turn on/off the night vision camera

◇ Watch the eyepiece / display screen, According to the actual distance adjust the focusing wheel until the screen is clear. If the light is insufficient or used at night, press the IR▲ button to turn on the infrared lamp. Please select the infrared lamp Level according to the light at that time. The darker the light, the higher level adjustment.

➤ Adjustment mode

◇ This night vision device has three modes: photo mode, video mode, playback mode, Press Mode key to switch different modes.

	Photo Mode	Take photo
	Video Mode	video recording
	Playback Mode	Play back pictures/video

➤ Take Photo

1. After boot, it defaults to video mode, please press mode key to switch to Photo Mode.
2. Zoom: Long press IR▲ or IR▼ key to Zoom in or Zoom out the image, the zoom value will be displayed on the LCD screen.
3. Take Photo:
 - ◇ The lens is aimed at the target and observed through the screen.

◇ By turning the focusing wheel(1) to adjust the focus, the screen display is the most clear for the best state. If used at night or in the case of insufficient light, press the IR▲ key to turn on the infrared lamp, repeatedly press this button will increase brightness, total of 7 level brightness. (0>1>2>3>4>5>6>7>0...) According to the actual light, press the IR▲/ IR▼ key to adjust the infrared lamp , the darker the light, the higher level the adjustment.

◇ Press Shot Key (10) to take photos.

➤ **Video recording**

1. Power On: default video mode after boot, if not video mode, press Mode Key to switch to video mode.

2. Zoom: Long press the IR▲ or IR▼ key to zoom in or zoom out of the image. Scaling values are displayed on the LCD screen.

3. Start recording :

◇ The lens is aimed at the target , observed through the screen.

◇ If used at night or in the case of insufficient light, press the IR▲ key to turn on the infrared lamp, repeatedly press this button will increase brightness, total of 7 level brightness. (0>1>2>3>4,5>6,7>0.) According to the actual light, press the IR▲/ IR▼ key to adjust the infrared lamp , the darker the light, the higher level the adjustment.

◇ Press the Shot Key to start recording, and the length of the video will be displayed on the screen.

4. Stop recording

◇ Press Shot Key again to stop recording.

◇ When the memory capacity is full, the machine will automatically stop recording.

Noted: If the device can not be activated, check if the battery is defective, missing or installed incorrectly, replace or install the battery correctly, ensure and use 4pcs AA alkaline batteries.

➤ **Poor Image**

◇ If you wear glasses, please wear glasses when using the equipment.

◇ If used during the day, make sure that the infrared light is turned off (if the infrared light is turned on, the screen is shown in black and white, and if the infrared light is turned off, the screen is displayed in color)

◇ When used at night or in case of insufficient light, make sure that the IR is turned on and press the IR▲ key (the screen is black and white when the IR light is turned on) to adjust the most appropriate brightness according to the actual situation.

◇ Adjust the focus by slowly turning the focusing wheel① to ensure that the focus has been focused.

➤ **IR-LED Night vision Camera function**

1.Regarding manual focusing: the machine lens (1) marked "←" and "→". According to the observed target distance, please rotate the lens to the left / right. The user can repeatedly debug the best focal length according to the actual observation distance until it is clear on the display screen.

2. There is no sound when the video is played back, because the observation distance is long, the sound can not spread over a long distance.

3. On Photo / Video mode, if you need to observe the darker environment, press the IR ▲ key to turn on the infrared lamp, the image will become black and white, by pressing the IR ▲ or IR ▼ key to adjust the infrared lamp level. (When the battery voltage is not enough, the camera will also automatically reduce IR level: when full power can be opened to 7, when 2grid battery can only turn on 5, one grid battery can only turn on 3, less than one grid battery can not turn on infrared lights).

➤ Photo and video mode menu

On photo and video mode, press the Menu Key to modify the setting parameters:

Menu	Function
Photo resolution	Set photo resolution, Options: 20M (5200X3900) 、 16M (4608X3456) 12M (4000X3000) 、 8M (3264X2448) 5M (2592X1944) 、 3M (2048X1536) 2M (1600X1200) 、 1M (1280X960)
Video size	Set video resolution:Options: 1920X1080 HD、 1280X720 HD 720X480、 640X480.

Power frequency	Set the power frequency according to your area, Options:50Hz/60Hz
Automatic shut-down	Set the automatic shutdown time when the machine is idle, thus to save the battery, Options: OFF/3min/5min./10min
Brightness	Set the Screen brightness.Total of 15levels for options (0>1>2>3>4>5>6>7>8>9>10>11>12>13>14>15) You can adjust the brightness according to your own adaptation. The preview adjustment value will be displayed in the left lower corner of the LCD screen.
Date	Set machine date
Time	Set machine time
Date Stamp	Add time watermark to photos or video files, Options: OFF/ON
Language	English German French Spanish Italian Russian Portuguese Dutch Polish Chinese Japanese
Format	Formatting the memory card removes all files, including locked files. Before formatting, copy important files to your computer, Options: YES/NO
Reset factory default	Restore all settings to factory default, Options: YES/NO
FW version	The user can view the current firmware version information of the machine.

➤ Playback

1. Press mode key to switch to playback mode.
2. Click Up/down key to browse photos and video files.
3. Video playback:
 - ◇ Press the Shot Key to play video
 - ◇ Press the Shot Key again to pause
 - ◇ Press Menu Key to stop playing current video
 - ◇ On Playback Mode, press the Menu Key to pop up the playback menu. press Up/down Key to select "file lock ..." and "file delete ...". Press the Shot key to select a menu to enter the option interface, press the Menu key to return to the previous menu.

➤ Menu in playback mode

Menu	Function
Delete	Delete a single file
All Delete	Delete all unprotected files
Protect	Lock or Unlock Single file or All files, Options: [Lock/Unlock Single]/[Lock All]/[Unlock All]

➤ Download files to computer

There are two ways to download images from night vision memory cards to a computer

◇ Use TF card reader

1. Pop up the TF card from the machine and insert the card reader to connect to the computer.
2. Open [my computer] or windows explorer, double-click the removable disk for the memory card.
3. Copy the file from the memory card to the computer.

◇ Connect the camera to the computer by usb cable

1. Turn on the night vision. Connect the machine to the computer by USB cable
2. The Screen appear the icon of “ connection”
3. Open [my computer] or windows explorer, double-click the removable disk for the memory card
4. Copy the file from the memory card to the computer.

➤ **Cleaning machines**

◇ Before cleaning the machine, disconnect the power (remove the battery) and clean the outside of the machine with a dry dustless cloth. In order to avoid damage to the machine, do not use any cleaning fluid, clean eyepiece and / or lens, just use a cleaning cloth gently wipe test, protect the lens from scratch

◇ Protect the machine from dust and moisture, and store it in a bag or box. If the machine doesn't use for a long time, remove the battery.

Note: the product design specifications are formulated according to the latest information in the preparation of this manual, and are subject to change without notice. Please refer to the actual camera.